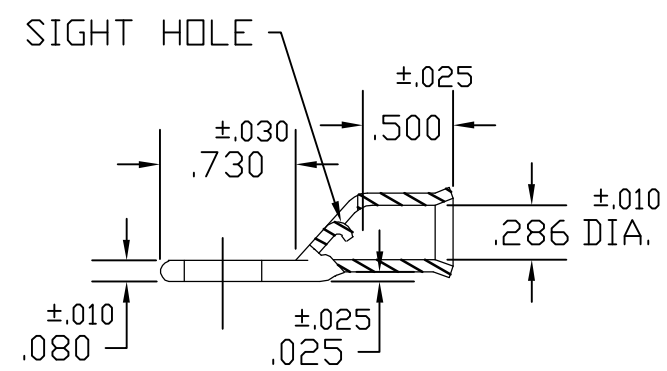
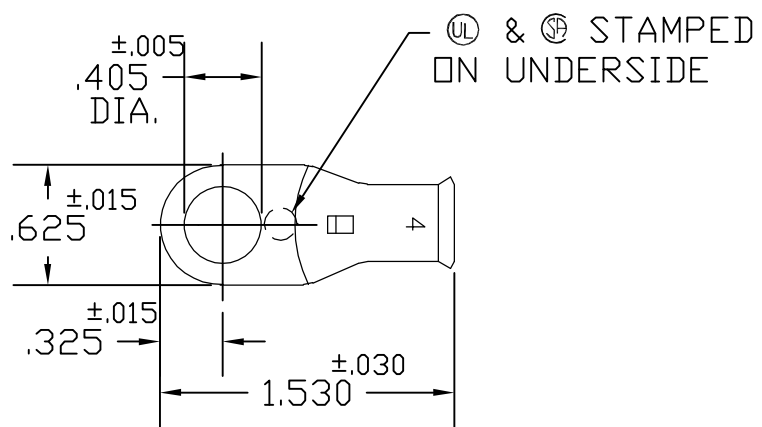


THIS DRAWING IS UNPUBLISHED. RELEASED FOR PUBLICATION  
 © COPYRIGHT BY TYCO ELECTRONICS CORPORATION. ALL RIGHTS RESERVED.

LOC	DIST	REVISIONS					
		P	LTR	DESCRIPTION	DATE	DWN	APVD
G	50		A1	REVISED PER ECR-06-009961	28APR06	HMR	JR



ACTIVE	4382-03	STANDARD	TIN PLATE	1526259-2
ACTIVE	4382-02	STANDARD	PLAIN	1526259-1
STATUS	AET P/N	PACKAGING	FINISH	PART NUMBER

THIS DRAWING IS A CONTROLLED DOCUMENT.		DWN D.A.A 10/20/00	Tyco Electronics Corporation Harrisburg, PA 17105-3608			
DIMENSIONS: INCHES		CHK H.D.F 10/20/00				NAME 4 STANDARD TERMINAL W/SIGHT HOLE
		APVD H.D.F 10/20/00	PRODUCT SPEC -			
TOLERANCES UNLESS OTHERWISE SPECIFIED: 0 PLC ± - 1 PLC ± - 2 PLC ± - 3 PLC ± - 4 PLC ± - ANGLES ± -		APPLICATION SPEC -	SIZE A3	CAGE CODE 00779	DRAWING NO C-1526259	RESTRICTED TO -
MATERIAL COPPER ASTM B-152		FINISH -	WEIGHT -	CUSTOMER DRAWING		
			SCALE 1:1	SHEET 1 OF 1	REV A1	